

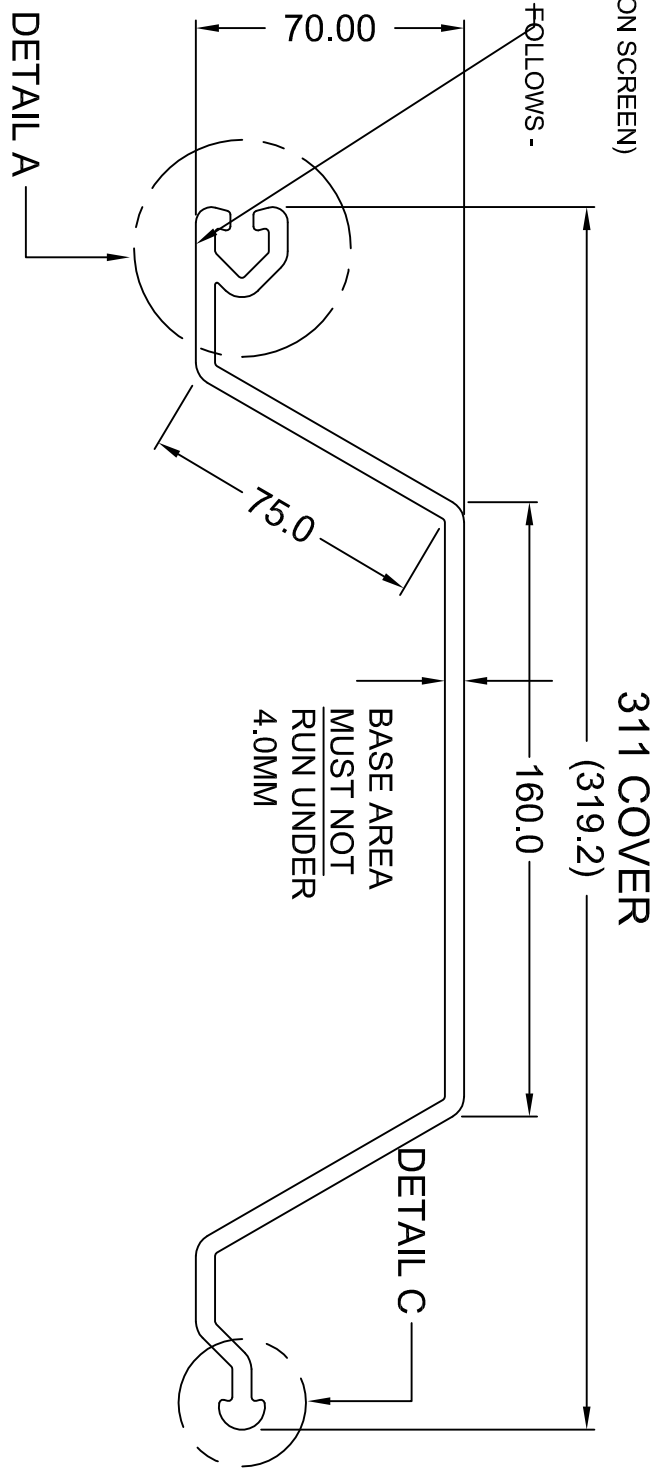
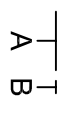


CRITICAL DIMENSION

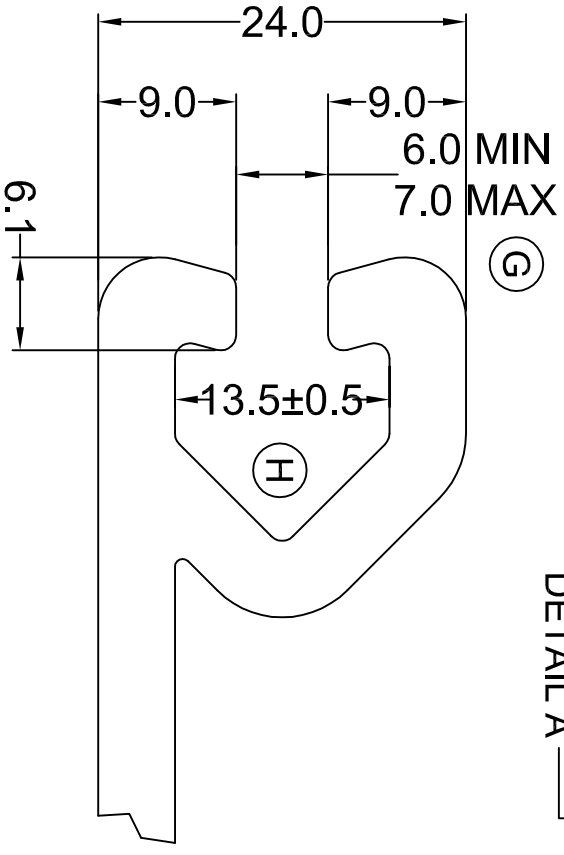
DENOTES SEEN FACE

ALL DIMENSIONS IN MILLIMETRES UNLESS OTHERWISE STATED

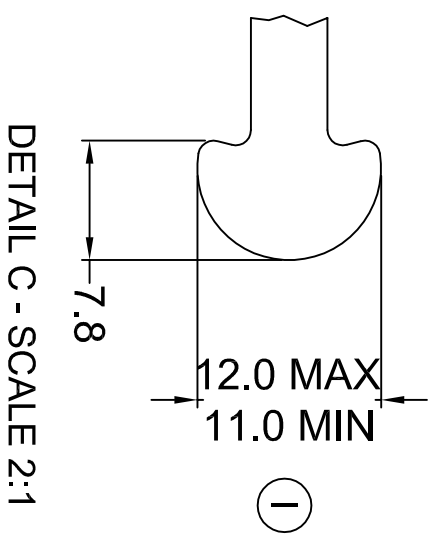
A = DAY NUMBER / YEAR (SEE PRODUCTION SCREEN)  
 B = SHIFT, D=DAYS, N=NIGHTS  
 PRINT PROFILE IDENTIFICATION HERE AS FOLLOWS -  
 WORKS ORDER NO'-2509-D



DETAIL A - SCALE 2:1



**FUNCTION TEST**  
 SECTION SHOWN ON DETAIL C MUST EASILY SLIDE INTO SECTION SHOWN IN DETAIL A.



DETAIL C - SCALE 2:1

ISSUE: A 13-06-2012	ISSUE: B 14-08-13	ISSUE: C 06-12-13	ISSUE: D -
DRAWN: J.BURKE	DRAWN: J.BURKE	DRAWN: J.BURKE	DRAWN: -

**OPERATOR INSEPECTION HOURLY**

HL BORDER CHANGED + PROFILE IDENTIFICATION ADDED	BASE AREA INFO ADDED	JAW DIMENSION CHANGED	
AREA: UPVC 2227 mm <sup>2</sup> WEIGHT: UPVC 3.173 kg/m LENGTH TOLERANCE: + 25.0mm, - 0.0mm GENERAL TOLERANCE: ±0.5mm UOS			
THIS DRAWING IS THE PROPERTY OF HL PLASTICS LTD AND MAY NOT BE COPIED OR USED FOR ANY PURPOSE OTHER THAN THAT FOR WHICH IT IS SUPPLIED WITHOUT THE WRITTEN CONSENT OF HL PLASTICS LTD.			
3RD ANGLE PROJECTION	SIZE: A4	MATERIAL: -	
Flamstead House, Derby Hall Business Park, Derby, Derbyshire, DE5 8JX Tel: + 44 1332 883800, Fax: + 44 1332 883801, sales@hlplastics.co.uk		DRAWN: J.BURKE WALL THICKNESS: 5.0 mm	
DATE: 13-06-2012	CHECKED:	APPROVED:	TITLE: FULL PAN PLASTIC PILING
CUSTOMER: HL PLASTICS			PART NO: CRS 8019
SCALE: 1 : 2 UOS			DRAWING No: 1358/001
			ISS: C