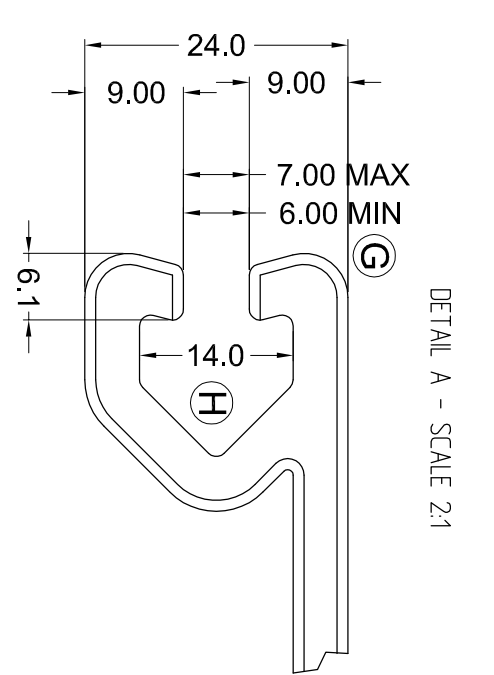
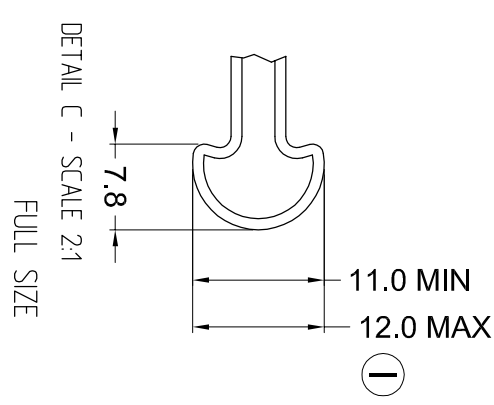


A = DAY NUMBER / YEAR (SEE PRODUCTION SCREEN)
 B = SHIFT, D=DAYS, N=NIGHTS
 PRINT PROFILE IDENTIFICATION HERE AS FOLLOWS -
 WORKS ORDER NO:2509-D
 A B
 T T



DETAIL A - SCALE 2:1

FUNCTION TEST _____
 SECTION SHOWN ON
 DETAIL C MUST EASILY
 SLIDE INTO SECTION
 SHOWN IN DETAIL A.



DETAIL C - SCALE 2:1
 FULL SIZE

ISSUE: A 20/10/15	ISSUE: B 07/12/15	ISSUE: C -	ISSUE: D -	OPERATOR INSPECTION HOURLY <small>THE DRAWING IS THE PROPERTY OF HL PLASTICS LTD AND MAY NOT BE COPIED OR USED FOR ANY PURPOSE OTHER THAN THAT SPECIFIED IN THE DRAWING. IT IS THE RESPONSIBILITY OF THE USER TO OBTAIN THE LATEST VERSION OF THIS DRAWING.</small>				<small>DATE: 20/10/2015</small> <small>CUSTOMER: LINLAR</small> <small>SCALE: 1 : 2 UOS</small>	<small>DATE: 20/10/2015</small> <small>CUSTOMER: LINLAR</small> <small>SCALE: 1 : 2 UOS</small>	<small>TITLE: STANDARD PILING</small> <small>PART NO.</small> <small>DRAWING NO: 1094/002</small> <small>REV: A</small>
DRAWN: S.H	DRAWN: S.WOODWARD	DRAWN: -	DRAWN: -	<small>AREA: SKIN 842.3 mm², MAIN BODY 1385.4 mm²</small> <small>WEIGHT: SKIN 1.2kg/m, MAIN BODY 1.974kg/m</small> <small>LENGTH TOLERANCE: +25.0mm, -0.0mm</small> <small>GENERAL TOLERANCE: +0.50mm, -0.20mm UOS</small>	<small>3RD ANGLE PROJECTION</small> <small>SIZE: A3</small>	<small>DRAWN: D.W./HYDE</small> <small>WALL THICKNESS: 2.0 mm</small>		<small>Flemstead House, Derby Hall Business Park, Derby, Derbyshire, DE5 8JX</small> <small>Tel: + 44 1332 883800, Fax: + 44 1332 883801, sales@hlplastics.co.uk</small>	<small>TITLE: STANDARD PILING</small> <small>PART NO.</small> <small>DRAWING NO: 1094/002</small> <small>REV: A</small>	
RE-ISSUE	BALLOON DIMENSIONS ADDED	-	-							